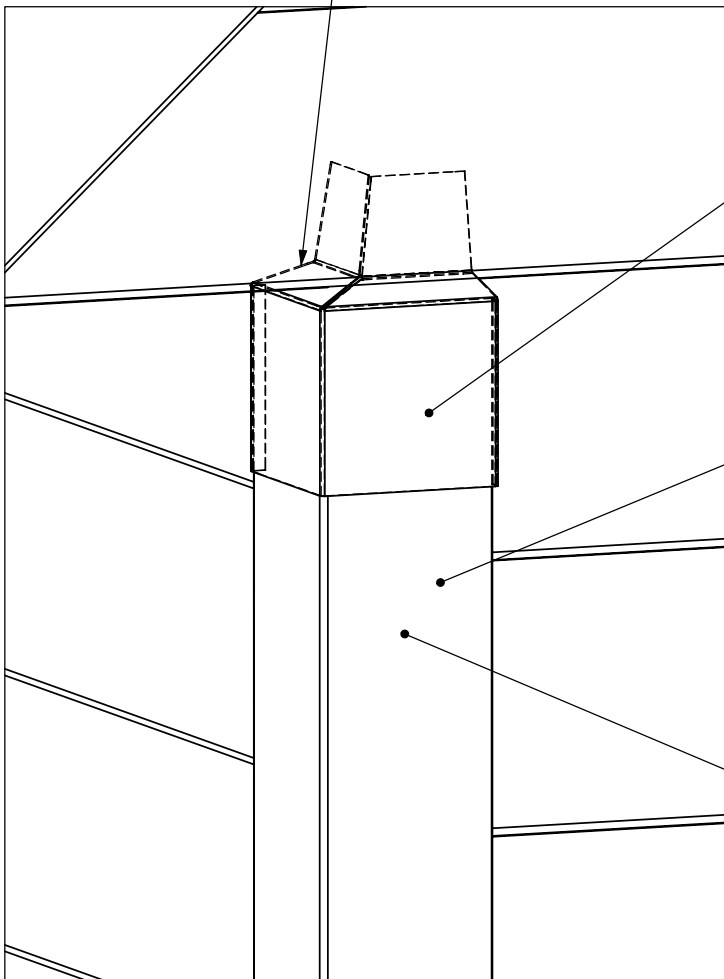


Gable end to flat soffit  
- corner extrusion termination

Cap may need to be cut on side to allow room for soffit



Cortex Corner Extrusion Termination  
**Only install WB's up to this level, fit cap and then continue WB installation**

Cortex Corner Extrusion (female)  
**Must be installed 50cm below where male corner extrusion would terminate to allow room for cap.**

Cortex Corner Extrusion (male)